



[Browse Product Range >](#)

Westfield Fasteners Product Specification:

DIN 433 - Washer for Cheese Head Screws

This product guide contains the specification for cheese head screw washers, a series of standard parts available from Westfield Fasteners. The basis of this specification is to the DIN standard DIN 433.

Product Description

A small diameter washer designed for use with screws with small diameter heads, like cheese heads and socket head cap screws. This type of washer offers a flush finish, and is useful for screws fitted into counterbored holes.

Scope of the DIN standard

DIN 433 specifies washers designed to be used with cheese head screws, for sizes from M1 to M20. These can be made in a variety of materials.

The washers for cheese heads that we stock, which are made from other materials such as nylon, are made to the same dimensions, but are not covered in the standard.

Figure 1 and table 1 below define the overall product dimensions. Tolerances are defined in DIN 522.

DIN 433 has now been superseded by ISO 7092. Despite this, off-the-shelf parts are still being produced to this older specification. Like other ISO washer standards, this washer standard features specific hardness classes.

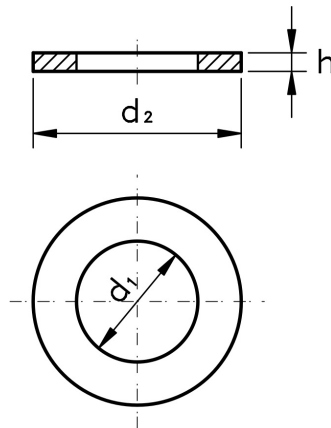


Figure 1: Washer for Cheese Head Screw

Table 1: Product Dimensions according to DIN 433 (mm)

For Thread Size	1	1.2	1.4	1.6	1.7	1.8	2	2.3	2.5	2.6	3	3.5	4	5	6	8	10	12	14	16	18	20
d ₁	1.1	1.3	1.5	1.7	1.8	1.9	2.2	2.5	2.7	2.8	3.2	3.7	4.3	5.3	6.4	8.4	10.5	13	15	17	19	21
d ₂	2.5	3	3	3.5	4	4	4.5	5	5	5.5	6	7	8	9.2	11	15	18	20	24	27	30	33
h	0.3	0.3	0.3	0.3	0.3	0.3	0.5	0.5	0.5	0.5	0.5	0.5	0.5	1	1.6	1.6	1.6	2	2	2	2.5	2.5

For further details, please refer to the DIN standard document for this item.