



[Browse Product Range >](#)

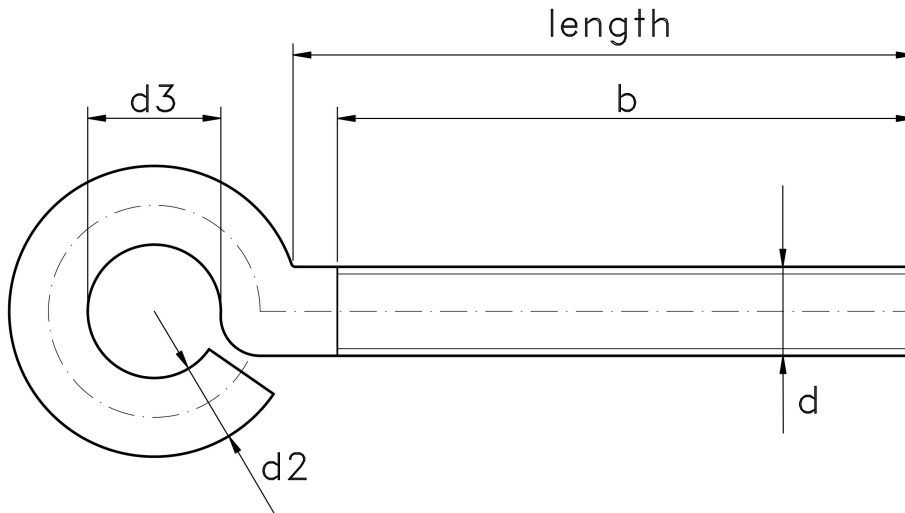
**Westfield Fasteners Product Specification:**

**Screw Eye with Metric Thread**

This product guide contains the specification for metric threaded screw eyes, a series of standard parts available from Westfield Fasteners.

**Product Description**

An eye bolt with an unwelded slightly open eye and a machine thread, for use with a nut and other threaded components. Generally used for suspending cable, wire and chains and marine applications.



**Figure 1: Screw Eye with Metric Thread**

**Table 1: Dimensions & Tolerances (mm)**

<b>d</b>	<b>4</b>				<b>5</b>				<b>6</b>				<b>8</b>				<b>10</b>			
Length	10	20	30	40	20	30	40	50	20	30	40	50	60	30	40	50	60	70	80	70
b	9	18	27	37	18	27	37	47	18	27	37	47	57	27	37	47	57	67	77	65
d2	3.5				4.4				5.25				7.05				8.85			
d3	6				8				10				12				15			