



## Westfield Fasteners Product Specification:

### Wire Rope Clamp, Simplex Type

This specification outlines the dimensions and features defining wire rope clamps of simplex type, a series of standard parts available from Westfield Fasteners. This guide should be referred to when selecting parts for new systems, or when sourcing replacements.

#### Product Description

Simplex wire clamps, also known as simplex wire rope grips, are used in wire cable assemblies to clamp the wire and create loops/eyes for attachment.

The clamp is made up of an assembly of parts. To fit, remove the nut and the plate and lay the wire around the threaded section to form a protruding loop of the desired size. Simply replace the plate and tighten the nut down to secure.

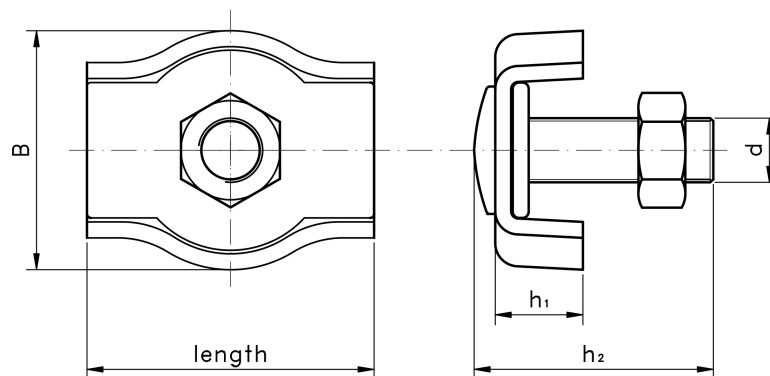


Figure 1: Wire Clamp, Simplex Type

Table 1: Wire Clamp Approx. Dimensions, in mm

Wire Diameter	B	d	h2	Length	h1
2	12	M4	14	15	5
3	14	M4	13	18	7
4	18	M5	18	20	7
5	20	M5	17	25	8
6	24	M6	23	30	9
8	30	M8	30	36	11