



Westfield Fasteners Product Specification:

DIN 546 - Slotted Round Nuts

This product guide contains the specification for slotted round nuts produced to the DIN standard DIN 546. This item is a standard part available from Westfield Fasteners.

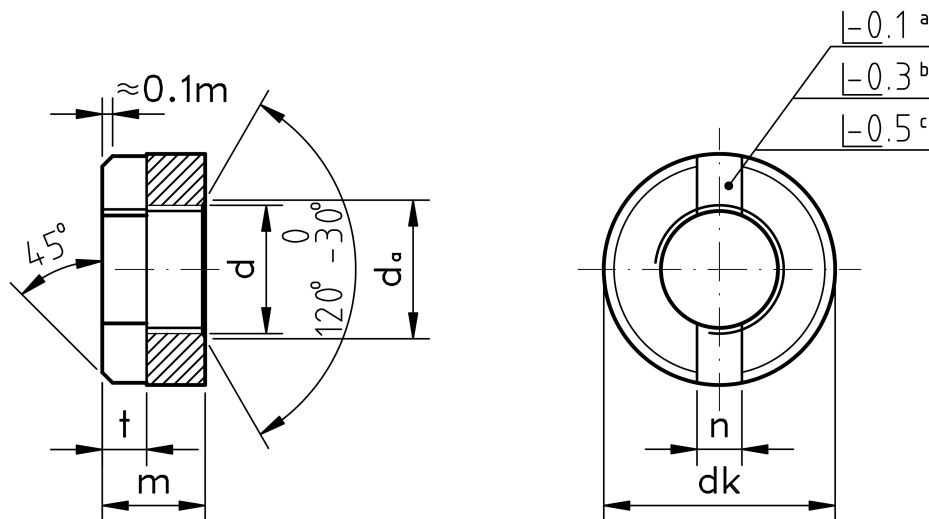
Product Description

The main function of slotted round nuts is to hold parts that don't require any specific preload force. Designed to be tightened with a flat head screwdriver and used in low stress situations. The round shape is aesthetically pleasing, but they can also be easily recessed into a surface to give a clean, flush finish.

Slotted Round Nuts are used in a wide range of applications for electrical engineering and machine construction.

Scope of the DIN Standard

The scope of DIN 546 applies to this specific type of slotted round nut, with sizes from M1 to M20. Table 1 below defines the overall dimensions and tolerances for them.



Key

- a for \leq M3
- b for $>$ M3 to M10
- c for $>$ M10

Figure 1: Slotted Round Nut to DIN 546

Table 1: Dimensions & Tolerances of Slotted Round Nuts according to DIN 546 (mm)

Thread Size, d		M1	M1.2	M1.4	M1.6	M2	M2.5	M3	M3.5	M4	M5	M6	M8	M10	M12	M14	M16	M18	M20
p		0.25	0.25	0.3	0.35	0.4	0.45	0.5	0.6	0.7	0.8	1	1.25	1.5	1.75	2	2	2.5	2.5
d _a	min	1.00	1.20	1.40	1.60	2.00	2.50	3.00	3.45	4.00	5.00	3.00	8.00	10.00	12.00	14.00	16.00	18.00	20.00
	max	1.15	1.40	1.60	1.84	2.30	2.90	3.50	4.00	4.60	5.75	6.75	8.75	10.80	13.00	15.10	17.30	19.50	21.60
d _k	max=nom	2.50	3.00	3.00	3.50	4.50	5.50	6.00	7.00	8.00	9.00	11.00	14.00	18.00	21.00	24.00	26.00	29.00	32.00
	min	2.25	2.75	2.75	3.20	4.20	5.20	5.70	6.64	7.64	8.64	10.57	13.57	17.57	20.48	23.48	25.48	28.48	31.38
m	max=nom	1.00	1.20	1.40	1.60	2.00	2.20	2.50	3.00	3.50	4.20	5.00	6.50	8.00	10.00	11.00	12.0	13.00	14.00
	min	0.75	0.95	1.15	1.35	1.75	1.95	2.25	2.75	3.20	3.90	4.70	6.14	7.64	9.64	10.57	11.57	12.57	13.57
n	nom	0.3	0.4	0.5	0.6	0.8	0.9	1.0	1.0	1.2	2	2.5	3	3.5	4	4	4	4	5
	min	0.36	0.46	0.46	0.56	1.06	1.26	1.26	1.46	1.46	2.06	2.56	3.06	3.57	4.07	4.07	4.07	4.07	5.07
	max	0.50	0.60	0.60	0.70	1.20	1.51	1.51	1.71	1.71	2.31	2.81	3.31	3.87	4.37	4.37	4.37	4.37	5.37
t	min	0.3	0.4	0.5	0.6	0.8	0.9	1.0	1.0	1.2	1.5	2.0	2.5	3.2	3.8	3.8	3.8	4.8	4.8
	max	0.5	0.6	0.7	0.8	1.0	1.1	1.2	1.4	1.6	1.9	2.4	3.0	3.7	4.3	4.3	4.3	5.5	5.5
Mass (2.85 kg/dm ³) per 1000 units kg =		0.034	0.057	0.063	0.100	0.210	0.340	0.430	0.700	1.070	1.80	2.73	5.57	11.50	21.50	21.10	36.80	48.40	57.20

For further details, please refer to the DIN standard document for this item.