



[Browse Product Range >](#)

Westfield Fasteners Product Specification:

Metric Connector Cap Nuts

This product guide contains the specification for metric threaded connector cap nuts, a series of standard parts available from Westfield Fasteners.

Product Description

Connector cap nuts, also known as furniture connector caps are designed to be paired with connector bolts. Together the connector caps and bolts are used to attach panels when constructing cabinets and flat pack furniture. Like the bolts, the head of the nut has a wide low profile head, which spreads the load on the fixing point and gives a decorative detail.

Material

These connector bolts are manufactured in steel with a number of decorative coatings, including black, bronze and nickel.

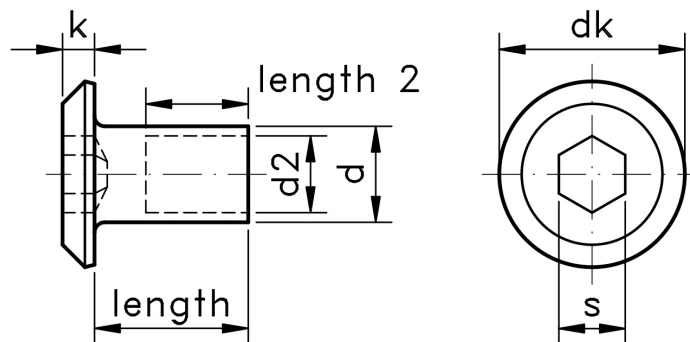


Figure 1: Connector Cap Nut

Table 1: Dimensions & Tolerances (mm)

Diameter, d	Head Diameter, dk	d2	Drive Size, s	Length	Head Height, k	Length 2
M6	15	9.5	4	6.5	2.5	-
	14.8	8.9	5	10		>6
	14.4	7.5	4 / 5	12		>8
	15	8	4	15		-
	14.8	8.9	5	17		>13
M8	20	9.9	5	16		
M10	19	12	6	14		>12
	22.5	13		18		-