



**Westfield Fasteners Product Specification:**

[Browse Product Range >](#)

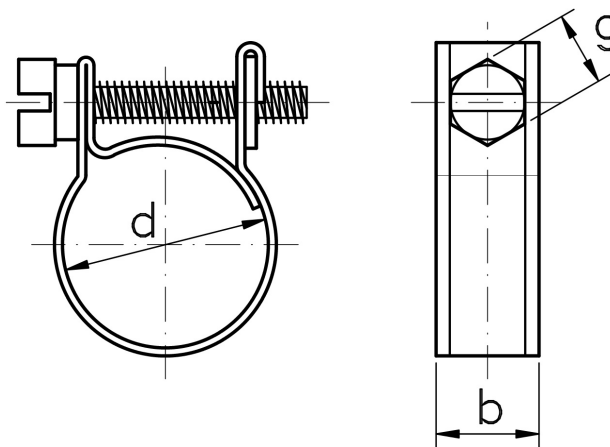
**Mini Hose Clips**

This product guide contains the specification for mini hose clips, a series of standard parts available from Westfield Fasteners.

**Product Description**

Mini hose clips, also commonly known as 'Nut & Bolt' clips, 'Fuel line Pipe Clip' or 'Petrol Pipe Clip'. These hose clips are designed for use in smaller diameter applications. Mini hose clips are used in automotive fuel lines, vacuum lines, breather systems, and small gauge hoses on machinery like lawnmowers, generators and motorcycles.

These mini hose clips are available in A2 stainless steel. Refer to figure 1 and table 1 below for product dimensions.



**Figure 1: Mini Hose Clip**

**Table 1: Product Dimensions of Mini Hose Clips (mm)**

d (Range)	Max. Torque (Nm)	b	g
7-9	1.5	9	7
8-10	1.5	9	7
9-11	1.5	9	7
10-12	1.5	9	7
11-13	1.5	9	7
12-14	1.5	9	7
13-15	1.5	9	7
14-16	1.5	9	7
15-17	1.5	9	7
16-18	1.5	9	7