



## Westfield Fasteners Product Specification:

[Browse Product Range >](#)

### Double Ear Hose Clamps

This product guide contains the specification for double ear hose clamps, a series of standard parts available from Westfield Fasteners.

#### Product Description

Double ear hose clamps, also known as 2 ear or 'O' clips, have many uses, are relatively inexpensive, and are an easily assembled solution provided you have the right fitting tool. These hose clamps are used in solutions to ensure against loss of liquid, air or gases from hoses and tubing. They are tamper proof and quick to fit, and ensure a consistent clamping pressure even on metal to metal connections. Double ear hose clamps are used in heating and ventilation systems, compressed air systems and welding equipment. It is important for a secure joint that the correct size is used and fitted using an appropriate tool.

These double ear hose clamps are available in A2 stainless steel and are finished with any manufacturing burrs and sharp edges removed to prevent damage in the application. Our supplier recommends choosing a clamp that is 0.4mm above the diameter of the hose assembly. Refer to figure 1 and table 1 for product dimensions.

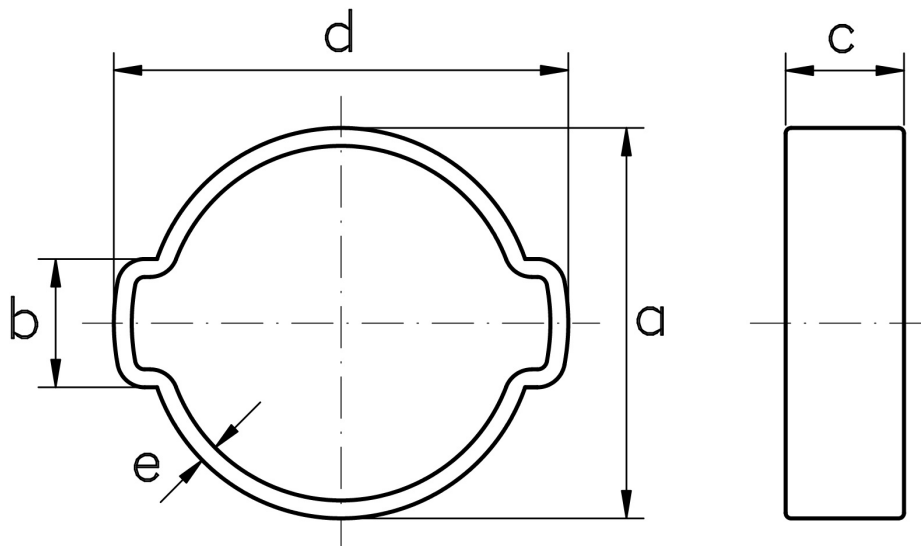


Figure 1: Double Ear Hose Clamp

**Table 1: Product Dimensions of Double Ear Hose Clamps (mm)**

<b>Size (Range)</b>	<b>a</b>	<b>b</b>	<b>c</b>	<b>d</b>	<b>e</b>
5-7	7.3	4.3	6.0	11.5	0.6
7-9	9.3	4.8	6.0	14.5	0.8
9-11	11.3	5.3	6.5	16.5	0.8
11-13	13.3	5.8	6.5	19.0	0.8
13-15	15.3	6.3	7.0	21.5	1.0
14-17	17.5	6.6	7.0	24.0	1.0
15-18	18.5	7.0	7.5	25.0	1.0
17-20	20.5	7.6	7.5	27.0	1.0
18-21	21.5	7.9	8.0	28.5	1.0
20-23	23.5	8.5	8.0	30.5	1.0
22-25	25.5	9.1	8.5	33.5	1.2

E&OE