



Westfield Fasteners Assortment

[Browse Product Range >](#)

Metric O-Rings, NBR 70 Shore

Product Description

A mixed box containing a variety of metric O-ring sizes in Nitrile Butadiene Rubber (NBR). These metric O-rings are cost effective, and are made for general purpose applications. See Figure 1 for product layout.

O-Ring Application Guide

These O-rings are made from Nitrile Butadiene Rubber (NBR), a synthetic material, and have a hardness rating of 70 on the Shore A hardness scale. This means that they are of medium hardness and are suitable for a broad range of uses including hydraulic and pneumatic applications, and are suitable for both static and dynamic applications.

O-rings in this material offer good tear and abrasion resistance as well as excellent oil and grease resistance. Please note that this material should not be used in contact with aromatic hydrocarbons, esters, or polar solvents.

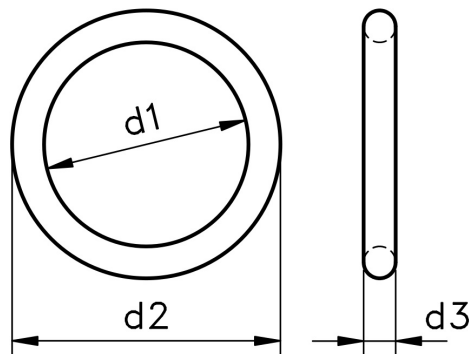


Figure 1: Metric O-Ring, NBR 70 Shore

Assortment Summary

Type - Metric O-rings

Material - Nitrile 70 Shore

Sizes - 3 x 2mm to 44 x 4mm

Average Contents - 385 pcs