



Westfield Fasteners Assortment

[Browse Product Range](#)

A2 Metric Full Hex Nut

Product Description

A small, mixed box containing various sizes of metric thread full hex nuts in A2 stainless steel. See Figure 1 and Table 1 below for dimensions.

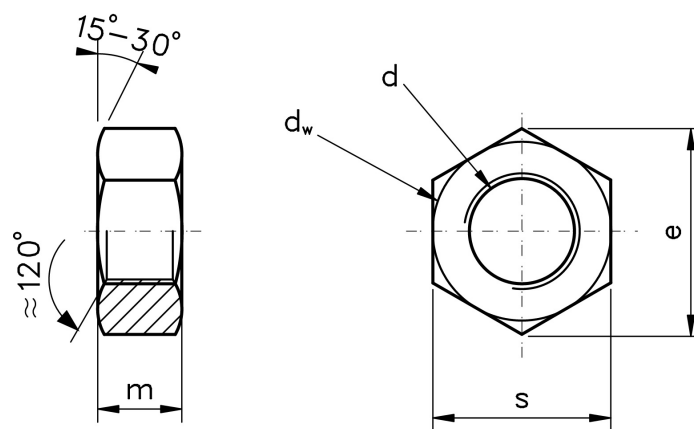


Figure 1: Metric Full Hex Nut

Assortment Content

Type - Metric

Material - A2 Stainless Steel

Sizes - 5mm to 12mm

Average Contents - 190 pcs

Standard - DIN 934

Table 1: Dimensions & Tolerances according to DIN 934 (mm)

Thread, d	M5	M6	M8	M10	M12	
Standard Pitch, p	0.8	1	1.25	1.5	1.75	
d _a	min	5	6	8	10	12
	max	5.75	6.75	8.75	10.8	13
d _w	min	6.8	8.8	11.3	15.3	17.2
e	min	8.79	11.05	14.38	18.90	21.1
m	nom=max	4	5	6.5	8	10
	min	3.7	4.7	6.14	7.64	9.64
s	nom=max	8	10	13	17	19
	min	7.78	9.78	12.73	16.73	18.67

E&OE