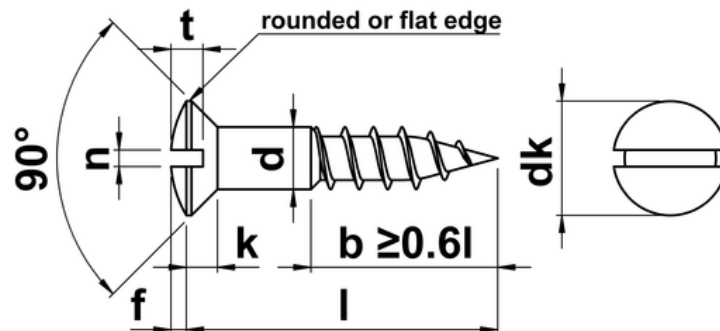




Slotted Raised Countersunk Woodscrews DIN 95

Slotted Raised Countersunk Woodscrew giving an attractive finish when fitted. Please refer to dimensions on the datasheet when replacing existing woodscrews, as there can be variation between actual and nominal diameters.



d (nominal)	d (actual)	dk	k	n	t	f	s
1.6	1.4-1.6	-	-	-	-	-	-
2	1.7-2.0	-	-	-	-	-	-
2.5	2.1-2.5	-	-	-	-	-	-
3	2.6-3.0	5.6	1.65	0.8	1.45	0.75	0.8x4.0
3.5	3.1-3.5	6.5	1.93	0.8	1.70	0.90	0.8x4.0
4	3.6-4.0	7.5	2.20	1.0	1.90	1.00	1.0x5.5
4.5	4.1-4.5	8.3	2.35	1.0	2.10	1.10	1.0x5.5
5	4.6-5.0	9.2	2.50	1.2	2.30	1.25	1.2x7.0
6	5.6-6.0	11.0	3.00	1.6	2.80	1.50	1.6x9.0