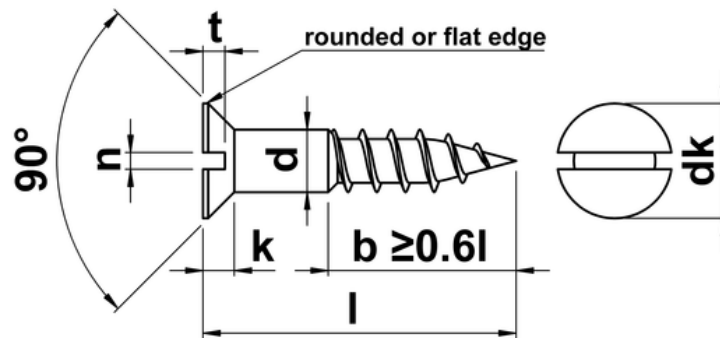




Slotted Countersunk Wood Screws

Slotted Countersunk Woods Screw giving a flush, smooth and snagfree finish when used. Please refer to dimensions on the datasheet when replacing existing wood screws, as there can be variation between actual and nominal diameters.



d (nominal)	d (actual)	dk	k	n	t max.	s
1.6	1.4-1.6	-	-	-	-	-
2	1.7-2.0	3.7	1.10	0.6	0.6	-
2.5	2.1-2.5	4.7	1.50	0.6	0.70	0.6x3.5
3	2.6-3.0	5.6	1.65	0.8	0.85	0.8x4.0
3.5	3.2-3.5	6.5	1.93	0.8	1.00	0.8x4.0
4	3.6-4.0	7.5	2.20	1.0	1.10	1.0x5.5
4.5	4.2-4.5	8.3	2.35	1.0	1.20	1.0x5.5
5	4.6-5.0	9.2	2.50	1.2	1.30	1.2x7.0
5.5	5.1-5.5	10.2	2.75	1.2	1.40	1.2x7.0
6	5.6-6.0	11.0	3.00	1.6	1.60	1.6x9.0
8	7.4-8.0	14.5	4.00	2.0	2.10	2.0x12.0