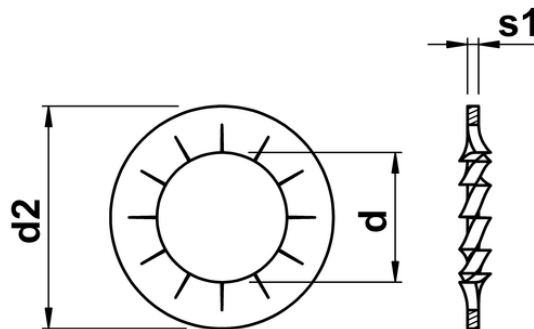




Internal Serrated Lock Washers DIN6798

A toothed or perforated washer usually employed in electrical connections such as battery terminals, but can also be used in assemblies to help prevent loosening. This variant includes teeth on the internal diameter, which leaves a neater finish. Accords with DIN 6798J.



d	for	d2	s1
2.2	M2	4.5	0.3
2.7	M2.5	5.5	0.4
3.2	M3	6.0	0.4
3.7	M3.5	7.0	0.5
4.3	M4	8.0	0.5
5.3	M5	10.0	0.6
6.4	M6	11.0	0.7
7.4	M7	12.5	0.8
8.4	M8	15.0	0.8
10.5	M10	18.0	0.9
13.0	M12	20.5	1.0
15.0	M14	24.0	1.0
17.0	M16	26.0	1.2
19.0	M18	30.0	1.4
21.0	M20	33.0	1.4
23.0	M22	36.0	1.5
25.0	M24	38.0	1.5
28.0	M27	44.0	1.6
31.0	M30	48.0	1.6