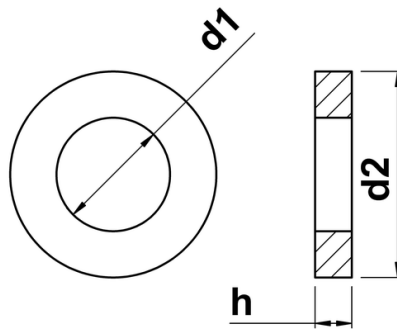




Flat Washers to NAS620

Flat washer with reduced outside diameter. Manufactured to NAS620, a standard specified by the Aerospace Industries Association of America.



d1	for	d2	h
0.063	No. 0	0.099	0.016
0.089	No. 2	0.149	0.016
0.102	No. 3	0.180	0.032
0.115	No. 4	0.209	0.032
0.128	No. 5	0.238	0.032
0.143	No. 6	0.267	0.032
0.169	No. 8	0.304	0.032
0.195	No. 10	0.354	0.063
0.255	1/4	0.468	0.063