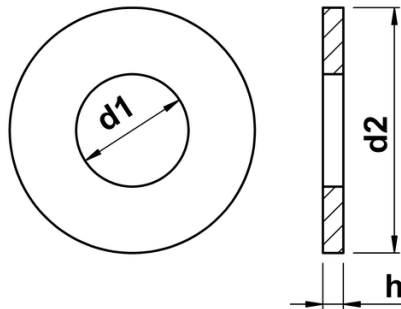




Form C Washers

A rarer design of flat washer with a slightly larger external diameter than a DIN 125 standard form A flat washer. To BS 4320.



d1	for	d2	h
4.2	M4	10	0.8
5.3	M5	12.5	1.0
6.4	M6	14.0	1.6
8.4	M8	21	1.6
10.5	M10	24	2.0
13	M12	28	2.5
15	M14	30	2.5
17	M16	34	3.0
19	M18	37	3.0
21	M20	39	3.0
25	M24	50	4.0