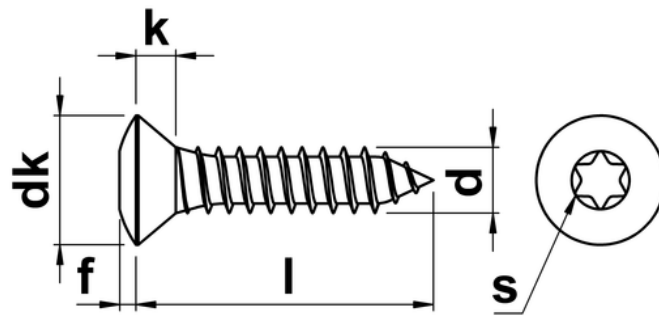




Torx Raised Countersunk Self Tapping Screws DIN 7983TX

A Torx (Hexalobular or 6 Lobe) driven countersunk headed self tapping screw incorporating a slightly raised head which gives it an attractive finish when fitted.



d (gauge)	d (mm)	k max.	f	dk max.	s
No.4	2.9	1.7	0.9	5.5	-
No.6	3.5	2.1	1.2	6.8	T15 typ.
No.7	3.9	2.3	1.3	7.5	T15 typ.
No.8	4.2	2.5	1.4	8.1	T20 typ.
No.10	4.8	3.0	1.5	9.5	T20 typ.
No.12	5.5	3.4	1.7	10.8	T25 typ.
No.14	6.3	3.8	2.0	12.4	T30 typ.