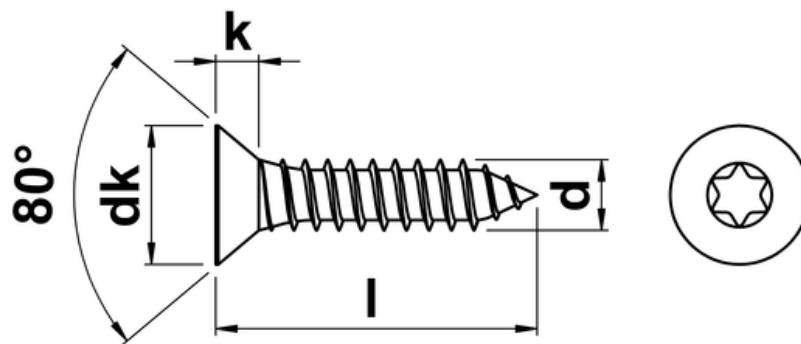




Torx Csk Tapping Screws Type C (AB)

Self tapping screws with a Torx drive; also known as star, 6 lobe, and hexalobular internal. Normally used with sheet metal and plastics, this variant has a countersunk head which is typically used in conjunction with a countersunk hole providing a flush, snag free fit. As the name suggests, this type of screw forms its own thread as it is installed into a pre-drilled hole.



No.	d	dk	k	s
2	2.2	4.3	1.3	T 6
4	2.9	5.5	1.7	T 10
6	3.5	6.8	2.1	T 15
7	3.9	7.5	2.3	T 15
8	4.2	8.1	2.5	T 20
10	4.8	9.5	3.0	T 25
12	5.5	10.8	3.4	T 25
14	6.3	12.4	3.8	T 30