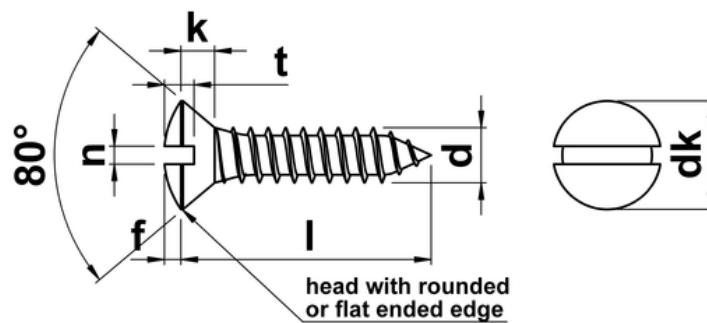




Slotted Raised Csk Self Tapping Screws DIN 7973C

A Slotted Countersunk headed screw incorporating a slightly raised head which gives it an attractive finish when fitted.



No.	dk	f	k	n	t max.	s
2	4.3	0.7	1.3	0.6	1.15	0.6X3.5
4	5.5	0.9	1.7	0.8	1.50	0.8X4.0
6	6.8	1.2	2.1	1.0	1.90	1.0X5.5
7	7.5	1.3	2.3	1.0	2.05	1.0X5.5
8	8.1	1.4	2.5	1.2	2.25	1.2X7.0
10	9.5	1.5	3.0	1.2	2.60	1.2X7.0
12	10.8	1.7	3.4	1.6	2.95	1.6X9.0
14	12.4	2.0	3.8	1.6	3.45	1.6X9.0