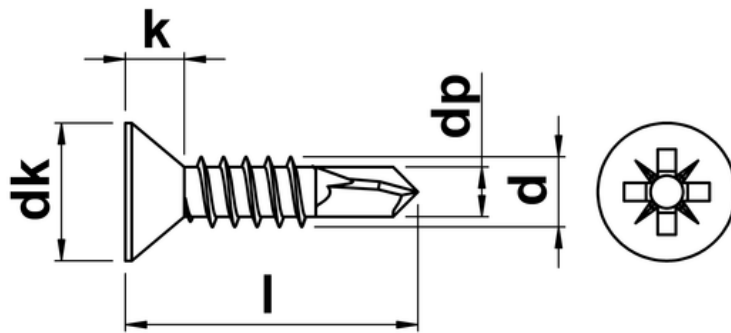




## Pozi Csk Self Drilling Screws

Self Drilling screws are designed to be fitted without the need for a pre-drilled hole, and employs self tapping threads enabling installation in one operation. This variant has a countersunk head with a pozidriv pattern drive. The countersunk head is typically used in conjunction with a countersunk hole providing a flush, snag free fit. Only suitable for light applications such as aluminium ducting or 1mm steel. Heavier duty screws are available, please contact us for information.



No.	d	dp	dk max.	k max.	s
6	3.5	2.8	6.8	2.1	PZ 2
7	3.9	3.1	7.5	2.3	PZ 2
8	4.2	3.6	8.1	2.5	PZ 2
10	4.8	4.1	9.5	3.0	PZ 2