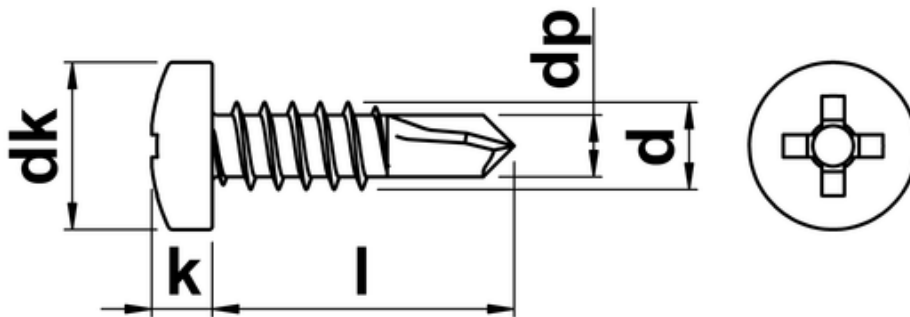




## Phillips Pan Self Drilling Screws

Self Drilling screws are designed to be fitted without the need for a pre-drilled hole, and employ self tapping threads enabling installation in one operation. This variant has a pan head with a phillips or pozi pattern drive. Only suitable for light applications such as aluminium ducting or 1mm steel. Heavier duty screws are available, please contact us for information.



No.	d	dp	dk max.	k max.	s
4	2.9	2.3	5.6	2.2	P 1
6	3.5	2.8	6.9	2.6	P 2
7	3.9	3.1	7.5	2.8	P 2
8	4.2	3.6	8.2	3.05	P 2
10	4.8	4.1	9.5	3.55	P 2