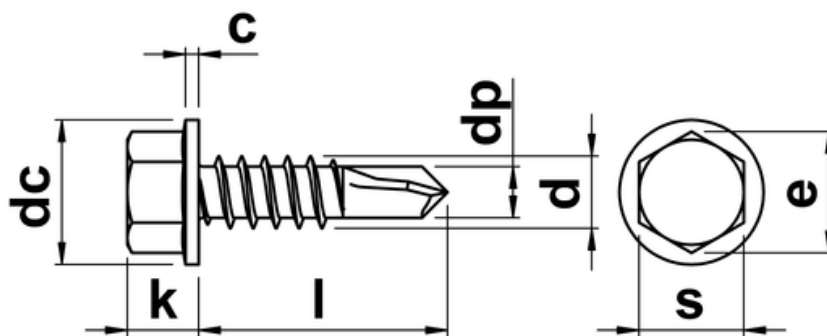




Hex Head Self Drilling Screws With Flange

Self Drilling screws are designed to be fitted without the need for a pre-drilled hole, and employs self tapping threads enabling installation in one operation. This variant has a hexagon head, so is designed to be driven in with a standard spanner or ratchet and socket. Only suitable for light applications such as aluminium ducting or 1mm steel. Heavier duty screws are available, please contact us for information.



| No. | d | dp | s | c | k max. | dc max. | e min. |
|-----|-----|-----|-----|-----|--------|---------|--------|
| 6 | 3.5 | 2.8 | 5.5 | 0.6 | 3.45 | 8.3 | 5.96 |
| 7 | 3.9 | 3.1 | 5.5 | 0.6 | 3.45 | 8.3 | 5.96 |
| 8 | 4.2 | 3.6 | 7 | 0.9 | 4.25 | 8.8 | 7.59 |
| 10 | 4.8 | 4.1 | 8 | 0.9 | 4.45 | 10.5 | 8.71 |
| 12 | 5.5 | 4.8 | 8 | 1.0 | 5.45 | 11.0 | 8.71 |
| 14 | 6.3 | 5.8 | 10 | 1.0 | 6.45 | 13.2 | 10.95 |