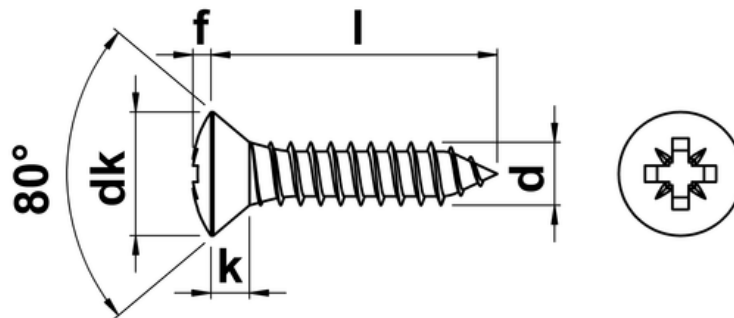




Pozi Raised Csk Tapping Screws DIN 7983Z

A Pozidrive Countersunk headed screw incorporating a slightly raised head which gives it an attractive finish when fitted.



d (gauge)	d (mm)	k	f	dk	s
2	2.2	1.3	0.7	4.3	Z1
4	2.9	1.7	0.9	5.5	Z1
6	3.5	2.1	1.2	6.8	Z2
7	3.9	2.3	1.3	7.5	Z2
8	4.2	2.5	1.4	8.1	Z2
10	4.8	3.0	1.5	9.5	Z2
12	5.5	3.4	1.7	10.8	Z3
14	6.3	3.8	2.0	12.4	Z3