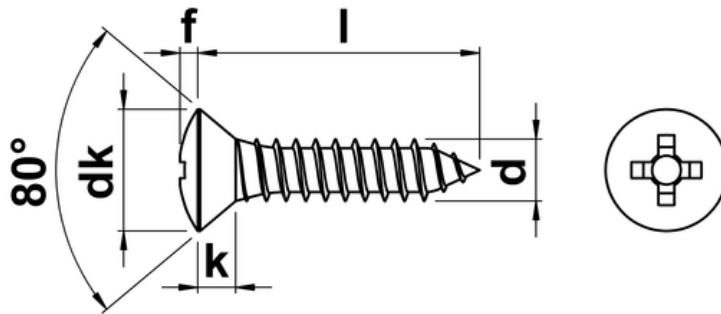




## Phillips Raised Csk Self Tapping Screws

A Phillips Drive Countersunk headed self tapping screw incorporating a slightly raised head which gives it an attractive finish when fitted.



d (gauge)	d (mm)	dk	f	k	s
No.2	2.2	4.3	0.7	1.3	P 1
No.4	2.9	5.5	0.9	1.7	P 1
No.6	3.5	6.8	1.2	2.1	P 2
No.7	3.9	7.5	1.3	2.3	P 2
No.8	4.2	8.1	1.4	2.5	P 2
No.10	4.8	9.5	1.5	3.0	P 2
No.12	5.5	10.8	1.7	3.4	P 3
No.14	6.3	12.4	2.0	3.8	P 3