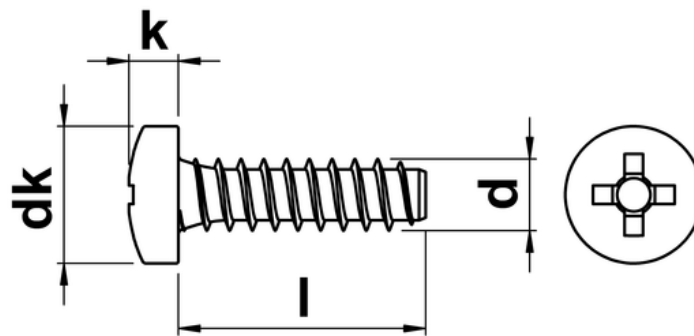




Phillips Pan Head Tapping Screws with Dog Point (Type F) ISO 7049 (DIN 7981H)

Self Tapping Screws with a Dog Point, Phillips driven and with a Pan head. Designed to be used with a pre-drilled pilot hole. Available in A2 Stainless Steel and suitable for use in more forgiving materials such as sheet aluminium or plastic. Manufactured to DIN 7981F.



No.	dk	k min.	k max.	r max.	s
2	4.2	1.55	1.80	0.3	P1
4	5.6	1.95	2.20	0.4	P 1
6	6.9	2.35	2.60	0.5	P 2
7	7.5	2.55	2.80	0.5	P 2
8	8.2	2.75	3.05	0.6	P 2
10	9.5	3.25	3.55	0.7	P 2
12	10.8	3.65	3.95	0.8	P 3