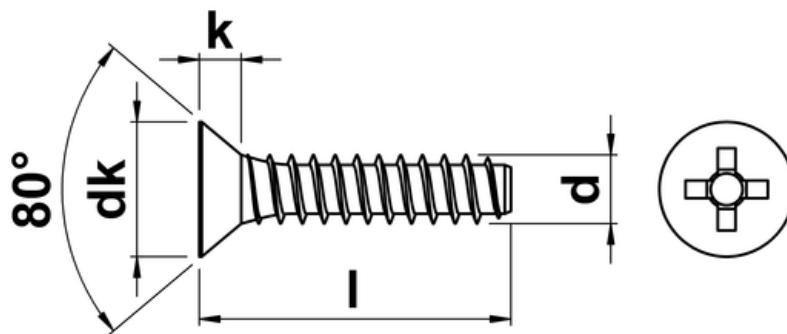




## Phillips Csk Self Tapping Screws with Dog Point (Type F) ISO 7050 (DIN 7982H)

Self Tapping Screws with a Dog Point, Phillips driven and with a Countersunk head. Designed to be used with a pre-drilled pilot hole. Available in A2 Stainless Steel and suitable for use in more forgiving materials such as sheet aluminium or plastic. Manufactured to DIN 7982F.



| d (gauge) | d (mm) | dk   | k   | s   |
|-----------|--------|------|-----|-----|
| No.4      | 2.9    | 5.5  | 1.7 | P 1 |
| No.6      | 3.5    | 6.8  | 2.1 | P 2 |
| No.7      | 3.9    | 7.5  | 2.3 | P 2 |
| No.8      | 4.2    | 8.1  | 2.5 | P 2 |
| No.10     | 4.8    | 9.5  | 3.0 | P 2 |
| No.12     | 5.5    | 10.8 | 3.4 | P 3 |