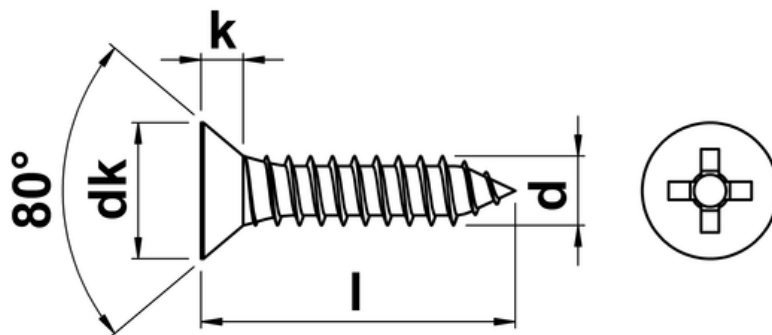




Phillips Csk Tapping Screws Type C (AB) ISO 7050 (DIN 7982H)

Self tapping screws are normally used with sheet metal and plastics. This variant has a countersunk head with a phillips pattern drive. The countersunk head is typically used in conjunction with a countersunk hole providing a flush, snag free fit. As the name suggests, this type of screw forms its own thread as it is installed into a pre-drilled hole.



No.	d	dk	k	s
2	2.2	4.3	1.3	P 1
4	2.9	5.5	1.7	P 1
6	3.5	6.8	2.1	P 2
7	3.9	7.5	2.3	P 2
8	4.2	8.1	2.5	P 2
10	4.8	9.5	3.0	P 2
12	5.5	10.8	3.4	P 3
14	6.3	12.4	3.8	P 3