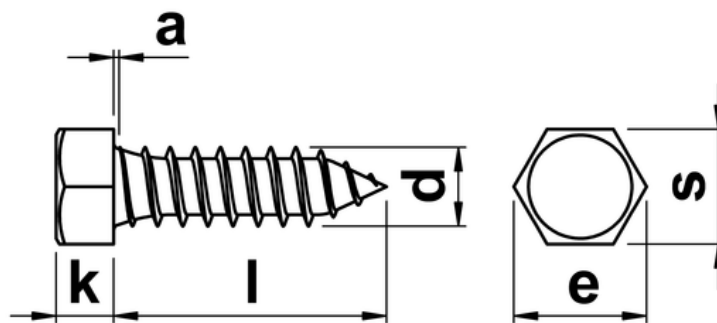




## Hex Self Tapping Screws Type C (AB)

Self tapping screws are normally used with sheet metal and plastics. This variant has a hexagon head, so is designed to be driven in with a standard spanner or ratchet and socket. As the name suggests, this type of screw forms its own thread as it is installed into a pre-drilled hole.



d (gauge)	d (mm)	k	s	e	a
<b>No.4</b>	2.9	1.5	5	5.45	1.1
<b>No.6</b>	3.5	2.3	5.5	6.00	1.3
<b>No.7</b>	3.9	2.3	7	7.66	1.3
<b>No.8</b>	4.2	2.8	7	7.66	1.4
<b>No.10</b>	4.8	3.0	8	8.79	1.6
<b>No.12</b>	5.5	4.0	8	8.79	1.8
<b>No.14</b>	6.3	4.8	10	11.05	1.8
<b>No.16</b>	8	5.8	13	14.38	2.1