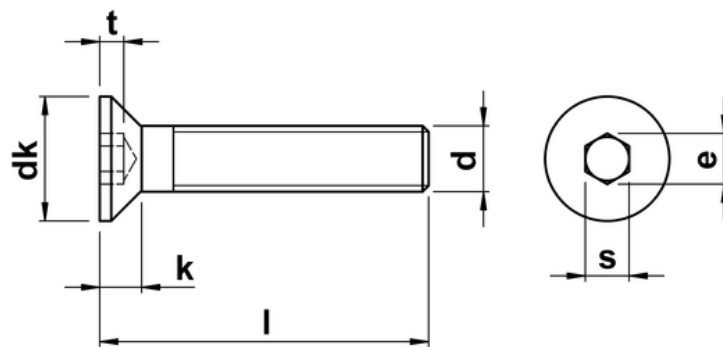




Socket Head Countersunk Screws ISO 10642 (DIN 7991)

A countersunk headed screw conforming with ISO 10642 or DIN 7991, requiring a hex key (otherwise known as an Allen key) to fit. The countersunk head is typically used in conjunction with a countersunk hole providing a flush, snag free fit. Generally manufactured with a full thread, though occasionally some stock may include a partially threaded shank. The head diameter is slightly larger than that of the equivalent DIN 965 Phillips or Pozi driven screw.



d	thread pitch	dk max.	dk min.	k max.	k min.	s max.	s min.	b	t max.	t min.	e
M2	0.40	4.09	3.70	1.350	1.130	1.360	1.320	-	0.85	0.75	1.454
M2.5	0.45	5.08	4.80	1.690	1.408	1.560	1.520	-	1.15	1.00	1.733
M3	0.50	5.81	5.54	1.860	1.522	2.080	2.020	18	1.25	1.10	2.303
M4	0.70	7.96	7.53	2.48	2.121	2.580	2.520	20	1.65	1.40	3.82
M5	0.80	10.07	9.43	3.100	2.669	3.080	3.020	22	2.00	1.75	3.443
M6	1.00	12.16	11.34	3.720	3.218	4.095	4.020	24	2.50	2.20	4.583
M8	1.25	16.43	15.24	4.960	4.366	5.140	5.020	28	3.20	2.90	5.723
M10	1.50	22.40	20.69	6.200	5.563	6.140	6.020	32	3.90	3.50	6.863
M12	1.75	26.88	24.81	7.440	6.711	8.175	8.025	36	4.90	4.30	9.149
M16	2.00	30.61	29.01	8.800	7.874	10.175	10.025	48	5.40	4.80	11.429
M20	2.50	36.75	35.40	10.160	9.037	12.212	12.032	60	6.40	5.60	13.716