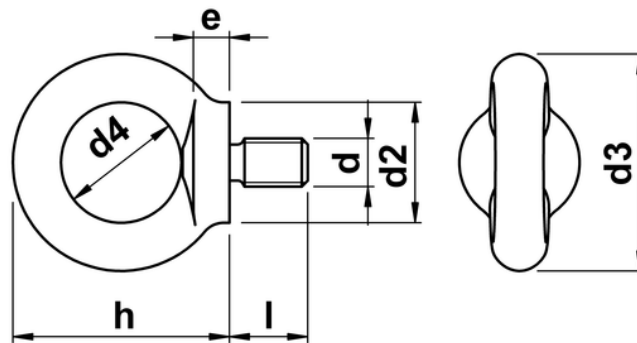




## Lifting Eye Bolts (similar to DIN 580)

These eye bolts, also known as lifting eyes, are cast and are designed to enable attachment of ropes and cables to structures, and for use in other light duty tensioning applications. Please note that these cast eye bolts are not approved for use in hoisting operations. Forged lifting eyes bolts are stronger and are therefore better used for lifting and heavy duty situations. Please call our sales team for pricing on these.



d	d2	d3	d4	h	e	L
<b>M6</b>	16	27	16	31	6	11.0
<b>M8</b>	20	36	20	36	6	13.0
<b>M10</b>	25	45	25	45	8	17.0
<b>M12</b>	30	54	30	53	10	20.5
<b>M16</b>	35	63	35	62	12	27.0
<b>M20</b>	40	72	40	71	14	30.0
<b>M24</b>	50	90	50	90	18	36.0
<b>M30</b>	65	108	60	109	22	45.0
<b>M36</b>	75	126	70	128	26	54.0