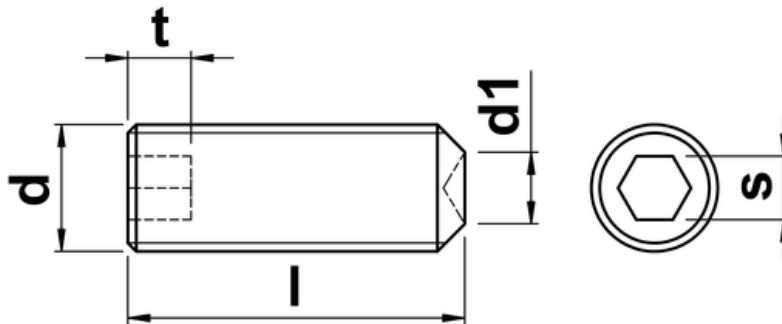




UNF Cup Point Grub Screws ASME B18. 3-2002

Also known as an Allen set screw, these headless types of screws have many uses. This particular type has a hex socket drive, and a depression called a cup on the opposite end, and conforms to ASME/ANSI B18.3.



d	tpi	s	t	d1
0-80	80	0.028	0.050	0.033
1-72	72	0.028	0.060	0.040
2-64	64	0.035	0.060	0.047
3-56	56	0.050	0.070	0.054
4-48	48	0.050	0.070	0.061
5-44	44	1/16	0.080	0.067
6-40	40	1/16	0.080	0.074
8-36	36	5/64	0.090	0.087
10-32	32	3/32	0.100	0.102
1/4	28	1/8	0.125	0.132
5/16	24	5/32	0.156	0.172
3/8	24	3/16	0.188	0.212
7/16	20	7/32	0.219	0.252
1/2	20	1/4	0.250	0.291
5/8	18	5/16	0.312	0.371
3/4	16	3/8	0.375	0.450