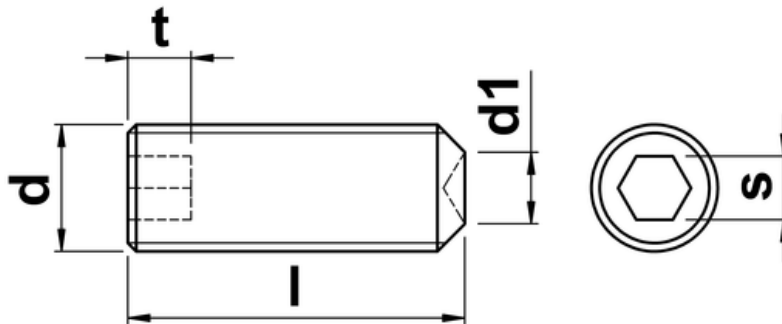




UNC Cup Point Grub Screws ASME B18. 3-2002

Also known as a set screw, these headless types of screws have many uses. This particular type has a hex socket drive, and a depression called a 'cup' on the opposite end, and conforms to ASME/ANSI B18.3.



d	tpi	s	t	s
1-64	64	0.028	0.060	0.040
2-56	56	0.028	0.060	0.047
3-48	48	0.035	0.070	0.054
4-40	40	0.050	0.070	0.061
5-40	40	0.050	0.080	0.067
6-32	32	1/16	0.080	0.074
8-32	32	1/16	0.090	0.087
10-24	24	5/64	0.100	0.102
1/4	20	3/32	0.125	0.132
5/16	18	1/8	0.156	0.172
3/8	16	3/16	0.188	0.212
7/16	14	7/32	0.219	0.252
1/2	13	1/4	0.250	0.291
5/8	11	5/16	0.312	0.371
3/4	10	3/8	0.375	0.450