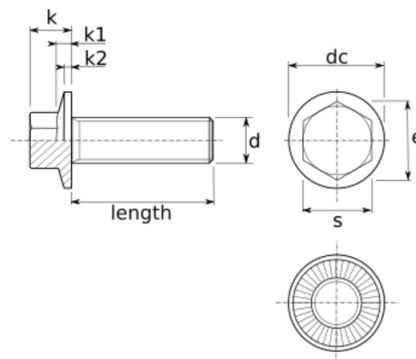




Unbrako Durlok Hexagon Flange Screws

Unbrako Durlok®; self locking, anti vibration hex head flange bolts. These are serrated flanged hex head bolts, which can be paired with the Unbrako Durlok®; self locking serrated flanged nut. They both have a high tensile strength of 12.9 and a black oxide/self coloured finish. These heavy duty fasteners are suitable for situations where vibration and jarring occurs and where the joint is subject to high loads. They can be reused, as they are unlikely to be damaged by the adjoining surfaces. Durlok®; Bolts are manufactured from alloy steel and are through hardened to give the same hardness from the tooth surface to the core. Durlok®; Fasteners can be used at high temperatures up to 300°C.



d	dc	e min.	k	k1	k2	s
M5	12.00	8.84	4.50	2.17	1.00	8.00
M6	14.00	11.10	5.20	2.27	1.10	10.00
M8	18.00	14.49	7.20	2.70	1.30	13.00
M10	21.00	16.64	9.00	3.24	1.60	15.00
M12	25.00	19.01	11.00	4.00	1.90	17.00
M14	28.00	21.23	12.50	4.50	2.20	19.00
M16	32.00	24.62	16.00	6.38	3.80	22.00
M20	39.00	30.14	18.00	6.49	3.10	27.00