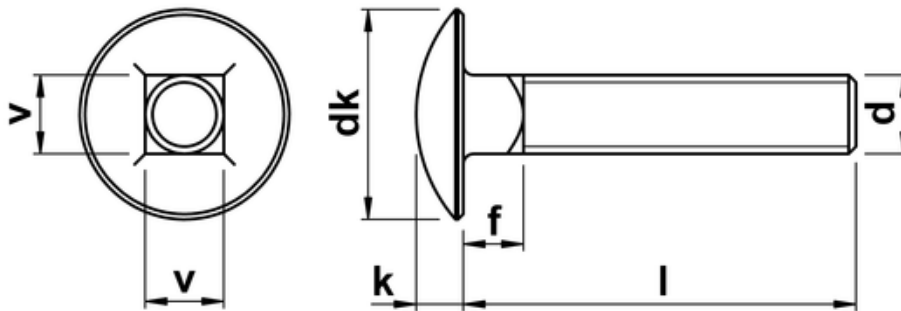




Coach Bolts DIN 603 with full thread

Generally used in timber to timber and timber to metal construction, these bolts incorporate a square neck to grip the hole in the timber when fitting, and therefore negates the need for any drive recess to be included on top of the head. Supplied to DIN 603. Manufactured with a fully threaded shank.



d	thread pitch	dk min.	f min.	k min.	v min.
M5	0.80	12.45	2.90	2.70	4.52
M6	1.00	15.45	3.40	3.12	5.52
M8	1.25	19.35	4.40	4.12	7.42
M10	1.50	23.35	5.40	4.62	9.42
M12	1.75	29.35	7.25	6.05	11.30
M16	2.00	37.20	11.10	8.05	15.30