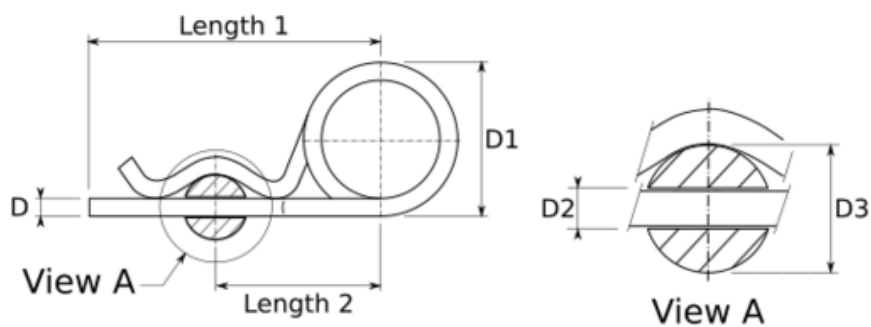




Spring R-Clips, Double Ring

Spring cotter pins, also known as R clips with a double loop. The extra loop gives more flexibility than the regular cotter pin, making them easier to use and adjust. Often used to secure ends of round shafts such as clevis pins or axles. They are re-usable and are easier to remove than split pins. Made from A2 (304) stainless steel, they are suitable for marine and outdoor applications, such as securing canopy frames and other ship deck mounted items. Conforms to DIN 11024.



D	aprx. overall length	D1	D2 (to suit hole)	D3 (to suit shaft)	Length 1	Length 2
2.25	52	20 (aprx.)	2.5	9 - 11	42 (aprx.)	24 (aprx.)
2.80	58	20 (aprx.)	3.2	11 - 14	48 (aprx.)	26 (aprx.)
3.60	74	20 (aprx.)	4.0	14 - 20	64 (aprx.)	32 (aprx.)
4.50	92	25 (aprx.)	5.0	20 - 26	80 (aprx.)	39 (aprx.)
5.60	110	25 (aprx.)	6.3	26 - 34	97 (aprx.)	45 (aprx.)
6.30	140	30 (aprx.)	7.0	34 - 45	125 (aprx.)	56 (aprx.)
7.00	165	30 (aprx.)	8.0	45 - 56	150 (aprx.)	63 (aprx.)