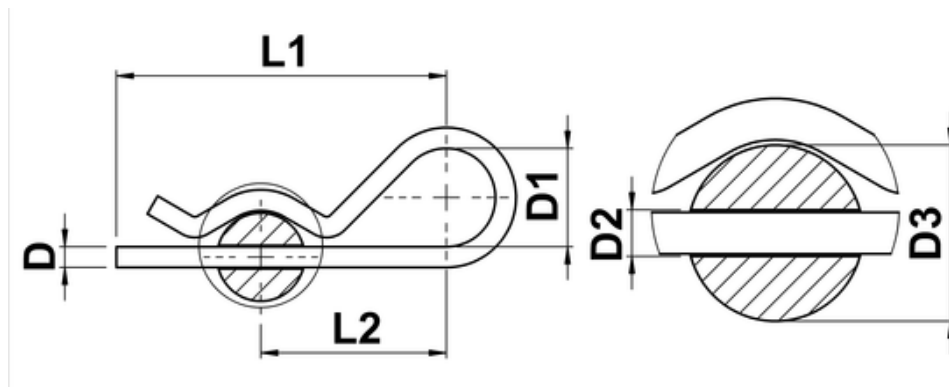




R-Clips (Euro Pattern)

R Clips, also known as R Keys, R Pins or Hitch Pins. Often used to secure ends of round shafts such as clevis pins or axles. Re-usable and made from A2 grade stainless steel, they can be viewed as a better option than split pins as they are easier to remove whilst essentially doing the same job.



| D | approx. overall length | D1 | D2 (to suit hole) | D3 (to suit shaft) | L1 | L2 |
|------------|-------------------------------|------------|--------------------------|---------------------------|-------------|------------|
| 2 | 48 | 10 (aprx.) | 2.5 | 8 - 12 | 40 (aprx.) | 25 (aprx.) |
| 2.5 | 54 | 11 (aprx.) | 3.0 | 10 - 16 | 46 (aprx.) | 24 (aprx.) |
| 3 | 70 | 16 (aprx.) | 3.5 | 16 - 18 | 60 (aprx.) | 34 (aprx.) |
| 4 | 78 | 19 (aprx.) | 4.5 | 18 - 20 | 64 (aprx.) | 36 (aprx.) |
| 5 | 100 | 26 (aprx.) | 6.0 | 20 - 28 | 82 (aprx.) | 45 (aprx.) |
| 6 | 125 | 30 (aprx.) | 7.0 | 28 - 40 | 110 (aprx.) | 60 (aprx.) |