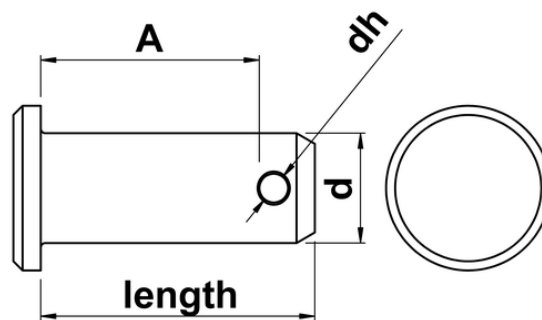




Clevis Pins

Clevis Pins are used to allow rotation between connected parts about the Axis of the pin. Our Clevis Pins are unthreaded and consist of a head section, shanked body and a drilled hole across the shank. Used in conjunction with split pins or cotter pins to fix the Clevis in place. Uses include Agricultural Machinery, Towing, Sailing and Linkages.



size	d	d (inch)	A	dh
4 x 14	4	5/32	11	2
4 x 19	4	5/32	15	2.1
5 x 15	5	3/16	10	2.4
5 x 18	5	3/16	13	2.3
5 x 21	5	3/16	17	2.4
6 x 15	6	1/4	10	2.4
6 x 20	6	1/4	16	2.3
6 x 25	6	1/4	21	2.4
6 x 29	6	1/4	24	2.6
6 x 36	6	1/4	31	2.4
6 x 45	6	1/4	41	2.3
8 x 21	8	5/16	16	3.2
8 x 24	8	5/16	19	2.9
8 x 27	8	5/16	22	2.9
8 x 32	8	5/16	26	2.9
9.5 x 26	9.5	3/8	22	3.2
9.5 x 30	9.5	3/8	25	2.8

size	d	d (inch)	A	dh
10 x 30	10	13/32	25	2.9
11 x 30	11	7/16	24	2.7
12 x 30	12	1/2	25	2.9
15 x 41	15	5/8	35	4.0