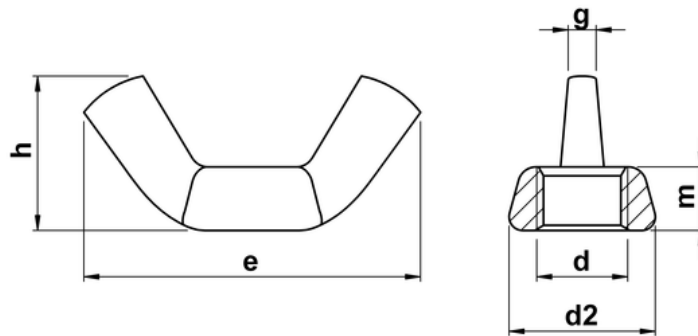




## Wing Nuts American Form

Popularly employed where frequent hand tightening and untightening of joints is required. To the American form, with less rounded, squared off wings. Similar to DIN 314/315. Please note that the wing span may vary between batches.



d	M3	M4	M5	M6	M8	M10	M12	M16	M20
thread pitch	0.50	0.70	0.80	1.00	1.25	1.50	1.75	2.00	2.50
m	2.4	2.9	4.1	5.1	5.6	6.8	9.0	10.7	12.2
h	8.8	8.8	10.5	12.9	14.8	17.3	22.3	30.8	31.2
e min	15.3	17.4	20.5	26.0	28.9	33.5	46.5	58.3	66.5
e max	22.3	22.7	26.5	32.0	38.0	50.0	66.0	68.0	71.8
d2	6.8	8.0	10.3	12.7	13.8	16.5	22.5	26.6	29.3
g	1.2	1.6	2.1	2.5	2.8	3.3	4.5	6.3	7.2