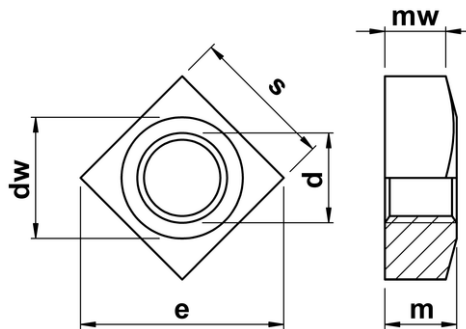




## Square Nuts

Compared to standard hex nuts, square nuts have a greater surface contact with the part being fastened, and therefore provide greater resistance to loosening. They are also much less likely to become rounded-off after repeated loosening/tightening cycles. Manufactured to DIN 557.



d	thread pitch	m	mw	s	e max.	dw min.
<b>M5</b>	0.80	4.0	2.5	8	11.3	6.7
<b>M6</b>	1.00	5.0	3.2	10	14.1	8.7
<b>M8</b>	1.25	6.5	4.1	13	18.4	11.5
<b>M10</b>	1.50	8.0	5.2	17	22.6	14.5
<b>M12</b>	1.75	10.0	6.6	19	25.4	16.5
<b>M16</b>	2.00	13.0	8.6	24	33.9	22.0