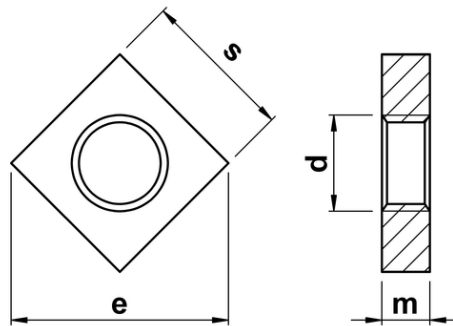




Square Thin Nuts

A thin or half nut variation of the standard DIN 557 square nut. To DIN 562.



d	thread pitch	m	s	e
M1.6	0.35	1.0	3.2	4.0
M2	0.40	1.2	4	5.0
M2.5	0.45	1.6	5	6.3
M3	0.50	1.8	5.5	7.0
M4	0.70	2.2	7	8.9
M5	0.80	2.7	8	10.2
M6	1.00	3.2	10	12.7
M8	1.25	4.0	13	16.5
M10	1.50	5.0	16	20.2