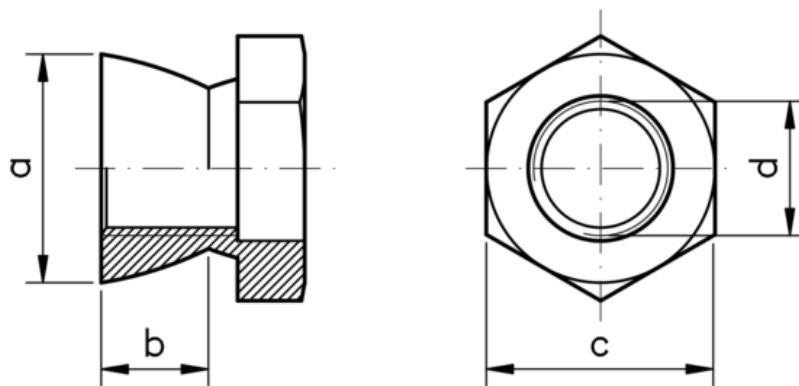




Shear Nuts

Shear nuts are a permanent high security fastener that do not require specialist tooling to fit. They consist of a threaded cone section with a hexagonal head at the top. The hexagonal unthreaded part of the nut is designed to shear off as it is tightened at a pre-determined torque setting. This leaves behind the tamper proof cone which is very difficult to remove as there is no drive or grip. Great for uses where a permanent anti-vandal fixing is needed and used in schools and hospitals as well as the fencing industry and car industry.



| Nominal Diameter, d | a | b | c | Torque Setting Break Point |
|---------------------|-----|----|----|----------------------------|
| M4 | 6.8 | - | 7 | 5-10 Nm |
| M5 | 7.8 | - | 8 | 6-12 Nm |
| M6 | 10 | 5 | 10 | 7-14 Nm |
| M8 | 13 | 6 | 13 | 13-25 Nm |
| M10 | 17 | 8 | 17 | 30-40 Nm |
| M12 | 19 | 10 | 19 | 35-45 Nm |
| M16 | 24 | 13 | 24 | 45-60 Nm |
| M20 | 30 | 18 | 30 | 65-80 Nm |