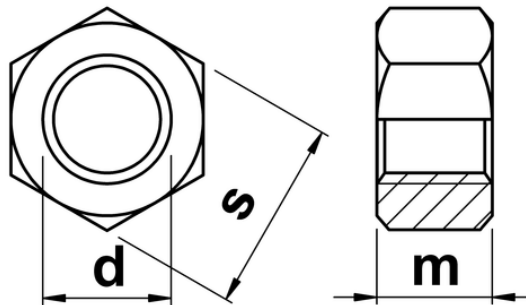




UNF Full Hex Nuts

Hexagon full nut to ASME B18.6.3. Typically fitted with a spanner or ratchet with socket. The most popular nut type, and used for decades on all types of assembly throughout the world.



d	tpi	s max.	m max.
0-80	80	0.156	0.050
1-72	72	0.156	0.050
2-64	64	0.188	0.066
3-56	56	0.188	0.066
4-48	48	0.250	0.098
5-44	44	0.312	0.114
6-40	40	0.312	0.114
8-36	36	0.344	0.130
10-32	32	0.375	0.130
12-28	28	0.438	0.161
1/4	28	0.438	0.226
5/16	24	0.500	0.273
3/8	24	0.562	0.337
7/16	20	0.688	0.385
1/2	20	0.750	0.448
9/16	18	0.875	0.496
5/8	18	0.938	0.559
3/4	16	1.125	0.665
7/8	14	1.312	0.776

d	tpi	s max.	m max.
1	14	1.500	0.887
1 1/8	12	1.688	0.999
1 1/4	12	1.875	1.094
1 3/8	12	2.062	1.206
1 1/2	12	2.250	1.317
1 3/4			
2			