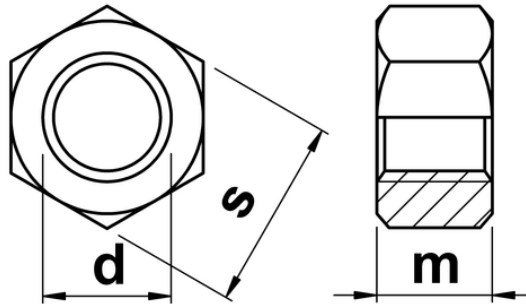




UNC Full Hex Nuts ASME B18.6.3

Hexagon full nut to ASME B18.6.3. Typically fitted with a spanner or ratchet with socket. The most popular nut type, and used for decades on all types of assembly throughout the world.



d	tpi	s max. (inch)	m max. (inch)
1/4	20	0.438	0.226
5/16	18	0.500	0.273
3/8	16	0.562	0.337
7/16	14	0.688	0.385
1/2	13	0.750	0.448
9/16	12	0.875	0.496
5/8	11	0.938	0.559
3/4	10	1.125	0.665
7/8	9	1.312	0.776
1	8	1.500	0.887
1 1/8	7	1.688	0.999
1 1/4	7	1.875	1.094
1 3/8	6	2.062	1.206
1 1/2	6	2.250	1.317