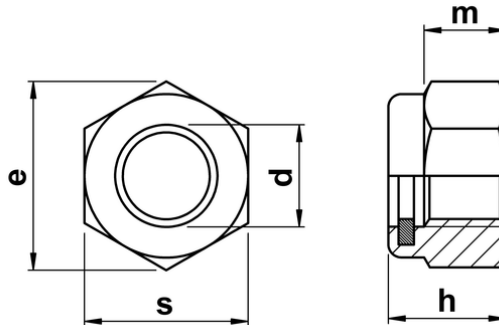




Thin Nyloc Nuts with Fine Pitch (Type T)

These fine pitch metric nyloc nuts are manufactured to DIN 985 and are the low Type T. Nylocs are also known as prevailing torque or locking nuts. As they are tightened onto a bolt, the bolt will cut a thread into the nylon part, making it less likely to loosen. The fine pitch means that there are more threads per centimetre, giving more engagement and adjustability to the fixing. They need to be used in conjunction with the same pitch bolt. Typically fitted with a spanner or ratchet with socket. We recommend that anti-galling measures are taken on installation of stainless steel variants of these items.



d	m min.	h	s	e min.
M8X1	5.5	8	13	14.38
M10X1	6.5	10	17	18.90
M12X1.5	8.0	12	19	21.10
M16X1.5	10.5	16	24	26.75
M20X1.5	14.0	20	30	32.95
M24X1.5	15.0	24	36	39.55