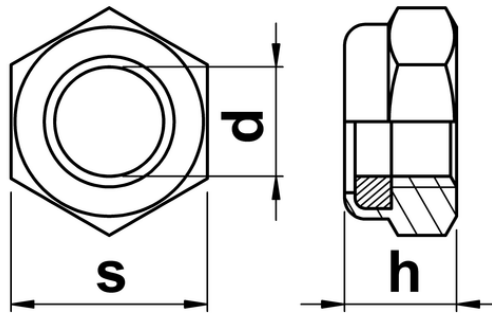




## UNF Nylon Insert Hex Nuts Thin Type

Prevailing torque nut, thin type. Popularly employed Hexagon nut incorporating a nylon insert to help prevent loosening when fitted. Typically fitted with a spanner or ratchet with socket.



d	tpi	s	h
4-48	48	0.2460	0.1090
5-44	44	0.2460	0.1090
6-40	40	0.3075	0.1250
8-36	36	0.3385	0.1720
10-32	32	0.3690	0.1720
12-28	28	0.4310	0.2030
1/4	28	0.4380	0.2030
5/16	24	0.5000	0.2500
3/8	24	0.5630	0.2660
7/16	20	0.6880	0.3130
1/2	20	0.7500	0.3130
9/16	18	0.875	0.3590
5/8	18	0.9380	0.3910
3/4	16	1.0630	0.4060
7/8	14	1.2500	0.4690
1	12	1.4400	0.5470