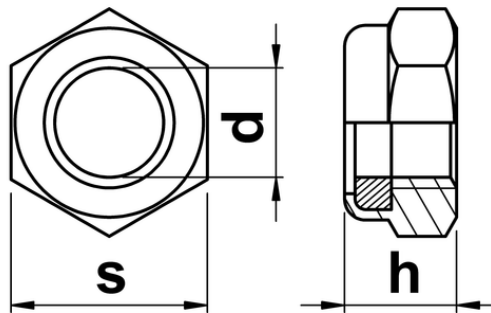




UNC Nylon Insert Hex Nuts Thin Type

Prevailing torque nut, thin type. Popularly employed Hexagon nut incorporating a nylon insert to help prevent loosening when fitted. Typically fitted with a spanner or ratchet with socket.



d	tpi	s	h
4-40	40	0.2460	0.1090
5-40	40	0.2460	0.1090
6-32	32	0.3075	0.1250
8-32	32	0.3385	0.1720
10-24	24	0.3690	0.1720
12-24	24	0.4310	0.2030
1/4	20	0.4970	0.2030
5/16	18	0.5585	0.2500
3/8	16	0.6845	0.2660
7/16	14	0.7465	0.3130
1/2	13	0.8710	0.3130
9/16	12	0.9340	0.3590
5/8	11	1.0580	0.3910
3/4	10	1.2455	0.4060
7/8	9	1.4335	0.4690
1	8	1.6205	0.5470
1 1/8	7	1.8075	0.6410
1 1/4	7	1.9905	0.7340
1 3/8	6	2.1780	0.7900

d	tpi	s	h
1 1/2	6	2.3640	0.7970