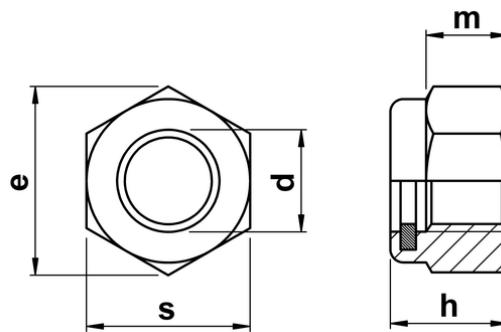




Thick Nyloc Nuts (Type P) ISO 10512 (DIN 982)

Prevailing torque type nut manufactured to DIN 982. Hexagon nut incorporating a nylon insert to help prevent loosening when fitted. This is the higher profile (Type P) variant with more available thread engagement and is typically fitted with a spanner or ratchet with socket. A lower profile, where perhaps space is at a premium is also available under DIN 985 (Type T).



d	thread pitch	m	h	s	e
M4	0.70	3.60	6.0	7	7.66
M5	0.80	4.40	6.3	8	8.79
M6	1.00	4.90	8.0	10	11.05
M8	1.25	6.44	9.5	13	14.38
M10	1.50	8.04	11.5	17	18.90
M12	1.75	10.37	14.0	19	21.10
M14	2.00	12.10	16.0	22	24.49
M16	2.00	14.10	18.0	24	26.75
M20	2.50	16.90	22.0	30	32.95
M24	3.00	20.20	28.0	36	39.55