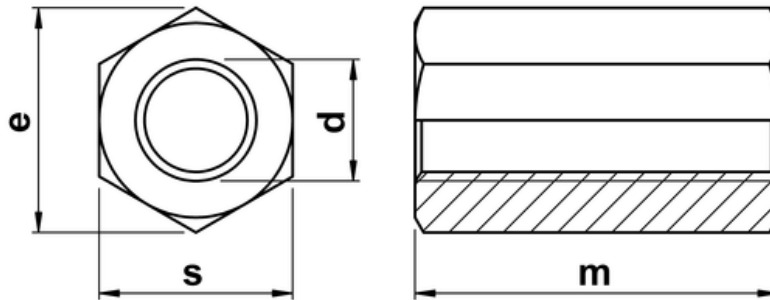




## Studding Connector Nuts

Hexagon Coupling Nuts also known as a long nut, these DIN 6334 connector nuts are typically employed in joining sections of threaded bar/studding together where required.



d	thread pitch	m	s	e
<b>M5</b>	0.80	15	8	9.0
<b>M6</b>	1.00	18	10	11.1
<b>M8</b>	1.25	24	13	15.0
<b>M10</b>	1.50	30	17	19.6
<b>M12</b>	1.75	36	19	21.9
<b>M16</b>	2.00	48	24	27.7
<b>M20</b>	2.50	60	30	34.6
<b>M24</b>	3.00	72	36	41.6
<b>M30</b>	3.50	90	46	53.1