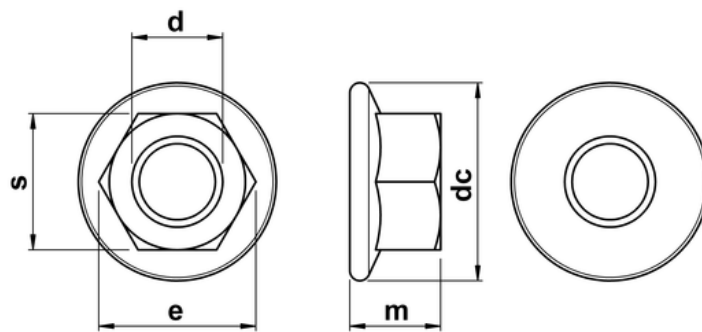




## Hex Plain Flange Nuts

An hexagon nut with incorporated flange, to DIN 6923. The flange offers protection for the bolted component where the driving tool may otherwise scratch its surface. The flange also lessens the need to use a washer. This particular version is non-serrated on the base. A serrated variant is also available. Please note that due to manufacturing limitations, all nylon variants of these items are only "similar to" and not "in absolute accordance with" the standard specified.



d	thread pitch	s	dc	m
<b>M3</b>	0.50	5.50-5.32	8.00	4.00-3.70
<b>M4</b>	0.70	7.00-6.78	10.00	4.50-4.20
<b>M5</b>	0.80	8.00-7.78	11.80	5.00-4.70
<b>M6</b>	1.00	10.00-9.78	14.20	6.00-5.70
<b>M8</b>	1.25	13.00-12.73	17.90	8.00-7.60
<b>M10</b>	1.50	15.00-14.73	21.80	10.00-9.60
<b>M12</b>	1.75	18.00-17.73	26.00	12.00-11.60
<b>M16</b>	2.00	24.00-23.67	34.50	16.00-15.30