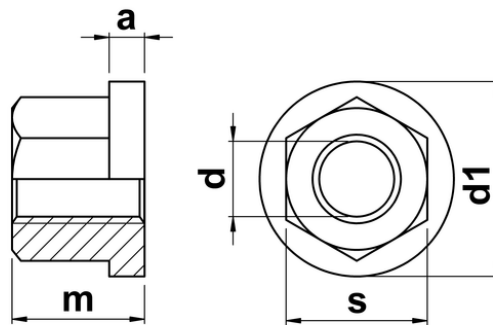




Hexagon Nut with Collar and height 1.5 x thread diameter

A hexagon nut 1.5 x its nominal diameter in height with a collar, therefore negating the need for a washer. Used in clamping applications that require frequent removal and re-fitting. Manufactured to DIN 6331



d	thread pitch	m	s	e	d1	a
M6	1.00	9	10	11.05	14	3.0
M8	1.25	12	13	14.38	18	3.5
M10	1.50	15	16	17.77	22	4.0
M12	1.75	18	18	20.03	25	4.0
M16	2.00	24	24	26.75	31	5.0
M20	2.50	30	30	33.53	37	6.0
M24	3.00	36	36	39.98	45	6.0
M30	3.50	45	46	51.28	58	8.0
M36	4.00	54	55	61.31	68	10.0