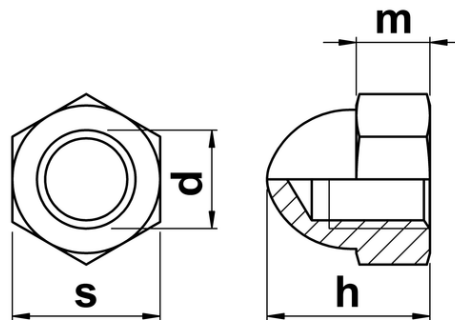




## UNF Dome/Acorn Nuts to ASME B18.2.2.

A popular nut used in applications where aesthetics are important. Also known as an Acorn nut, these nuts are manufactured to ASME B18.2.2. These have a standard Unified Fine Thread Pitch (UNF). To be used in conjunction with same sized UNF screws and bolts.



d	TPI	s	m	h
<b>4-48</b>	48	0.250	-	0.250
<b>5-44</b>	44	-	-	-
<b>6-40</b>	40	0.312	0.171	0.296
<b>8-36</b>	36	0.312	0.171	0.312
<b>10-32</b>	32	0.375	0.203	0.390
<b>12-28</b>	28	0.375	0.203	0.421
<b>1/4</b>	28	0.437	0.234	0.468
<b>5/16</b>	24	0.562	0.281	0.531
<b>3/8</b>	24	0.625	0.312	0.625
<b>7/16</b>	20	0.625	0.343	0.718
<b>1/2</b>	20	0.750	0.421	0.812
<b>5/8</b>	18	1.000	0.531	0.984
<b>3/4</b>	16	1.062	0.593	1.187