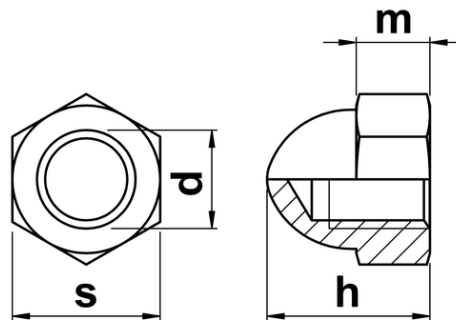




UNC Dome/Acorn Nuts to ASME B18.2.2.

A popular nut used in applications where aesthetics are important. Also known as an Acorn nut, these nuts are manufactured to ASME B18.2.2, in this instance they have a standard Unified Coarse Thread Pitch (UNC). To be used in conjunction with same sized UNC screws and bolts.



d	TPI	s	m	h
4-40	40	0.250	-	0.250
5-40	40	-	-	-
6-32	32	0.312	0.171	0.296
8-32	32	0.312	0.171	0.312
10-24	24	0.375	0.203	0.390
12-24	24	0.375	0.203	0.421
1/4	20	0.437	0.234	0.468
5/16	18	0.562	0.281	0.531
3/8	16	0.625	0.312	0.625
7/16	14	0.625	0.343	0.718
1/2	13	0.750	0.421	0.812
5/8	11	1.000	0.531	0.984
3/4	10	1.062	0.593	1.187